

Business Card Holder

Designed by Mari Michaelis ©2010

Fits all sizes of business cards.

Holds approx. 8-10 business cards inside and 1 card in the front display pocket.

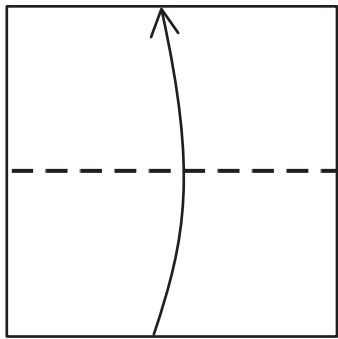
- Use a 7 inch/17.8 cm square of paper.

This was designed for 7" Lizard Skin origami paper, looks great with leatherette and other textured papers.

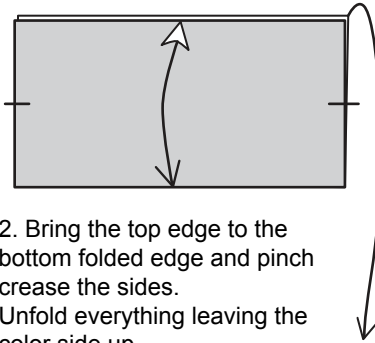
If using thicker scrapbook paper, cut the paper about 1/8 in./3 mm larger.



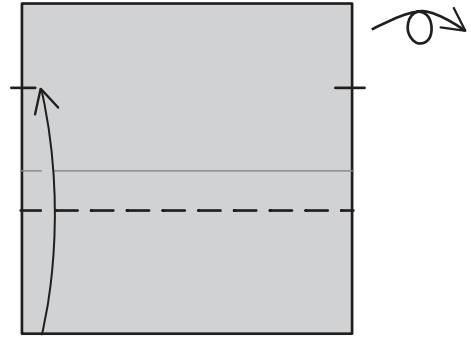
Start White side up. Make all creases sharp unless otherwise indicated.



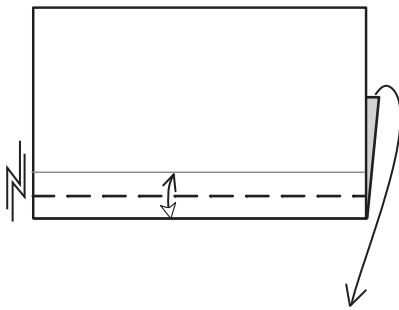
1. Valley fold the bottom edge to the top.



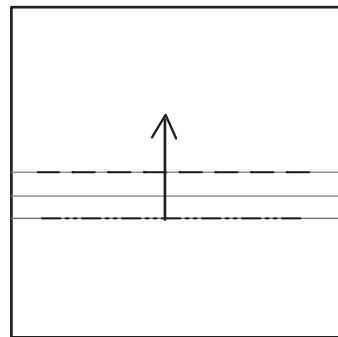
2. Bring the top edge to the bottom folded edge and pinch crease the sides. Unfold everything leaving the color side up.



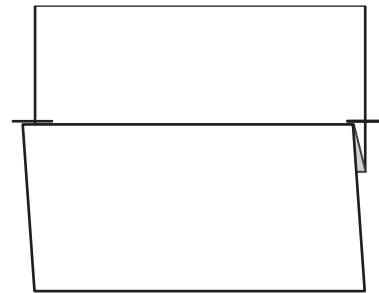
3. Valley fold from the bottom edge to the pinch crease. Turn over.



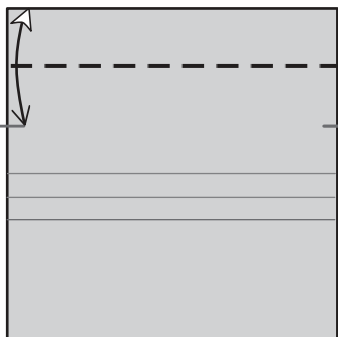
4. Flip fold the mountain crease (the bottom folded edge) to the center crease, creating a pleat. Unfold.



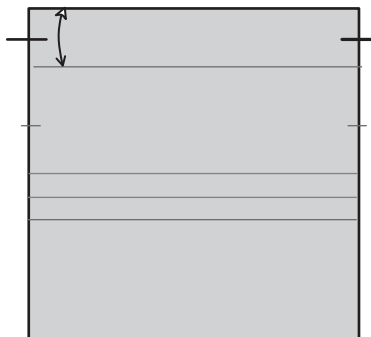
5. Fold the mountain crease up on the center crease.



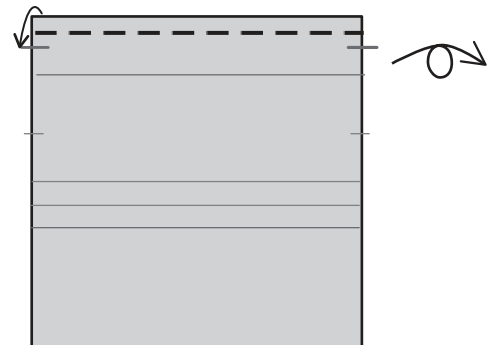
6. Pinch crease at the sides along the folded edge. Unfold. Turn over.



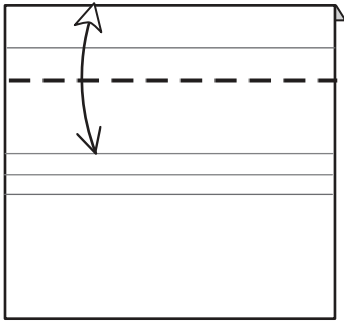
7. Valley fold the top edge to the pinch crease and unfold.



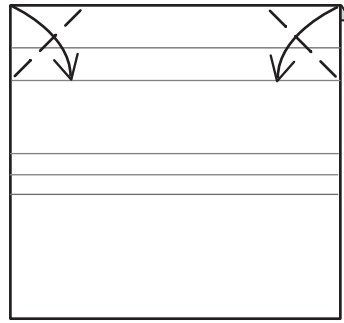
8. Bring the top edge to the valley crease and pinch crease at the sides.



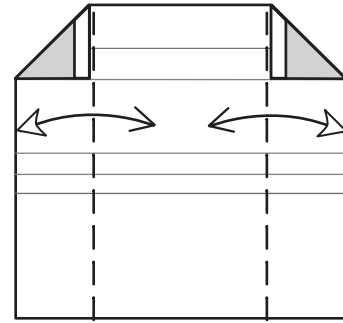
9. Valley fold the top edge to the pinch crease to create a narrow lip. Don't unfold. Turn over.



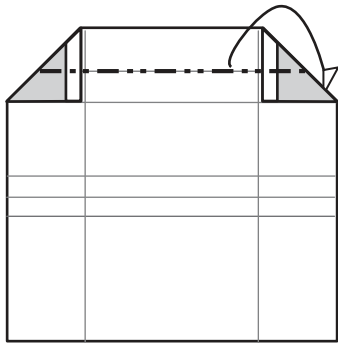
10. Lightly fold the top folded edge to the center crease and unfold.



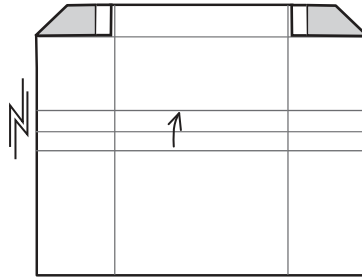
11. Valley fold the top corners diagonally to the crease just made.



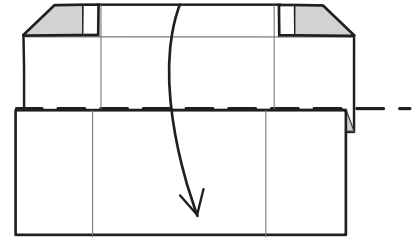
12. Valley fold the sides in vertically along the corner triangles. Unfold.



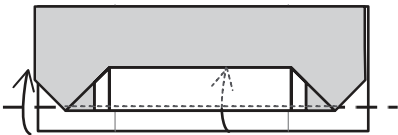
13. Mountain fold the top edge behind along the existing crease.



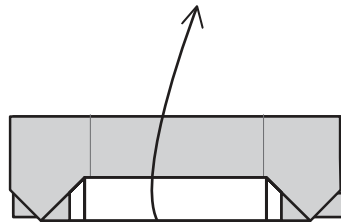
14. Re-fold the center pleat by bringing the mountain crease up to the center crease.



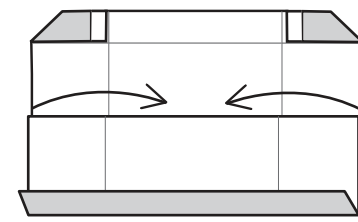
15. Fold the top folded edge down on the existing center valley crease.



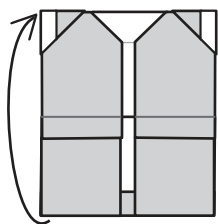
16. To create the front lip, valley fold the bottom raw edge up under the top flap's folded edge. Fold it up just slightly higher than the top flap's edge. Don't unfold.



17. Fold the top flap back up.

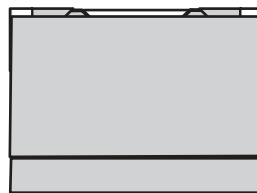


18. Fold the sides back in.

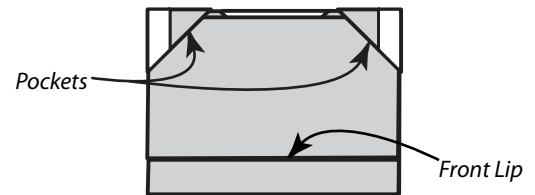


View is enlarged

19. Valley fold the bottom to the top on the existing center crease.



20. Tuck the top corners into the pockets of the back flap.



The front should bellow a little to allow room inside for about 8-10 business cards. One business card can be inserted in the outside front of the holder by tucking the card's bottom into the front lip and its top corners into the top pockets.

